

Grounding

Solutions for data comm applications



Overview & Table of Contents

Eaton offers a complete portfolio of grounding solutions for network room applications in support of BICSI and ANSI/TIA/EIA-607 compliant installations.

Table of Contents

Typical Grounding Application	2 & 3
Vertical Rack Ground Bars & Kits	4
Horizontal Rack Ground Bar Kit	5
Universal Grounding Bar	6
Telecommunications Main Grounding Bars & Kits	7
Telecommunications Grounding Bars & Kits	8
Ground Rod / Pipe Clamps	9
2-Hole Mechanical Lugs & Compression Lugs	10
Lay-In Lugs & Unit Bonding Conductors	11
Grounding Strap	12
Crimp Tool & Dieless Compression Tool	13
Joint Compound	14
Cross Reference	14
Comm/Data Products	15

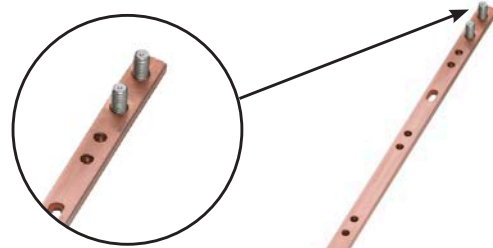
Typical Grounding Application



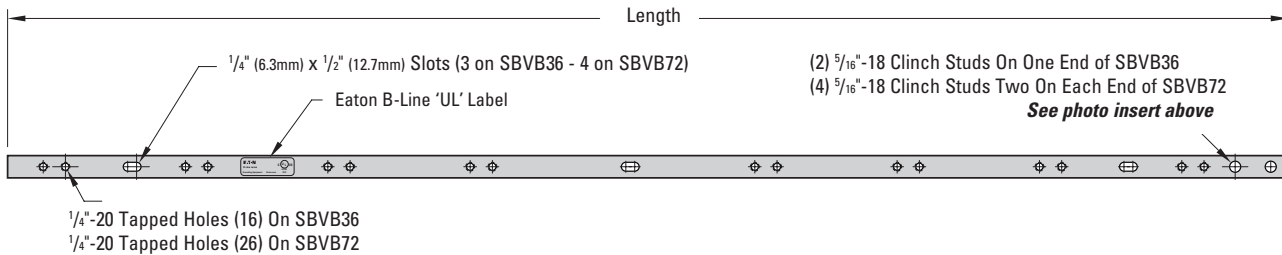
Vertical Rack Ground Bar & Kits

Features:

- Provides a vertical ground path between equipment mounted on the rack
- Typically used on two post or four post racks
- Blank end and studded end can be attached together to splice bars
- Isolators may be used to separate bar from rack (or omitted depending on application grounding scheme)
- Kit includes
 - 1 - Vertical rack ground bar
 - 3 - Insulators
 - 1 - #2 compression lug
 - 8 - 1/4"-20 x 1/2" SS4 hex bolts & lock washers
 - 4 - 5/16"-18 SS4 hex nut & lock washers
 - 3 - #12-24 x 5/8" yellow zinc hex washer bolts
- Material: 1/4" x 5/8" copper bar



SBVB36 shown

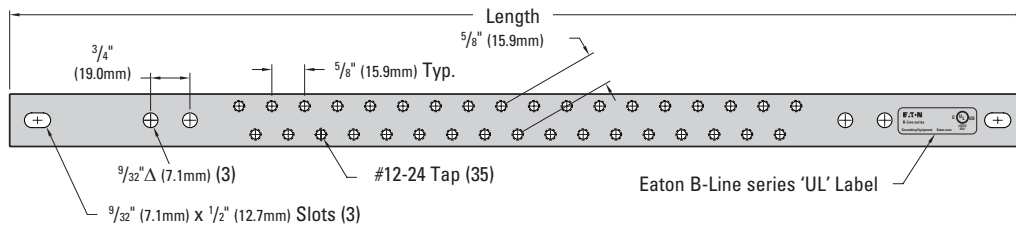
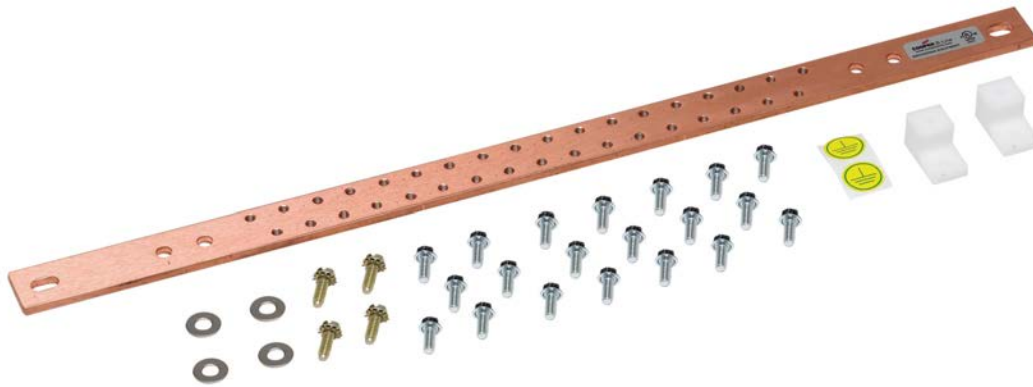


Part Number	Includes	Length		Wt./Ea.	
		in.	mm	lbs.	kg
SBVB36	Ground Bar Only	36"	914	2.0	0.91
SBVB36K	Bar & Hardware Kit	36"	914	2.2	1.00
SBVB72	Ground Bar Only	72"	1828	3.7	1.69
SBVB72K	Bar & Hardware Kit	72"	1828	3.9	1.77

Horizontal Rack Ground Bar Kit

Features:

- Used to consolidate grounds on the equipment rack
- Typically used on two post or four post racks
- Isolators may be used to separate bar from rack (or omitted depending on application grounding scheme)
- Kit includes
 - 1 - Horizontal rack ground bar
 - 2 - White insulators
 - 4 - #12-24 x $\frac{5}{8}$ " (15.9mm) zinc plated screws & flat washers
 - 20 - #12-24 x $\frac{1}{2}$ " (12.7mm) zinc plated screws
 - 2 - Ground labels
- Material: $\frac{3}{16}$ " (4.7mm) x 1" (25.4mm) copper bar

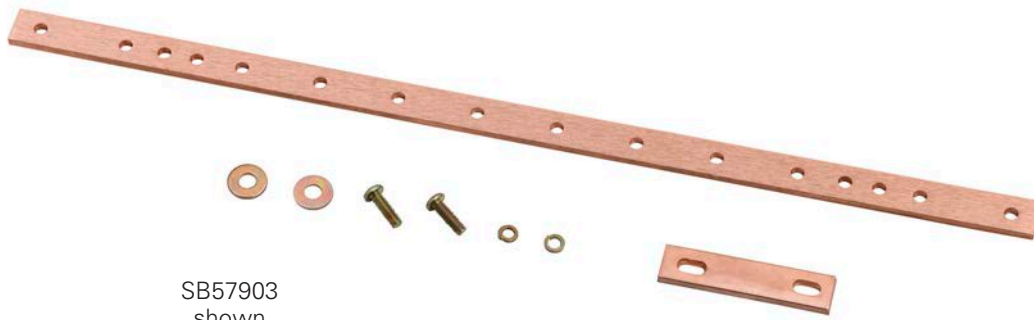


Part Number	Rack Width		Includes	Length		Wt./Ea.	
	in.	mm		in.	mm	lbs.	kg
SBHB119K	19"	482	Bar & Hardware Kit	19 $\frac{3}{8}$ "	492	3.0	1.36

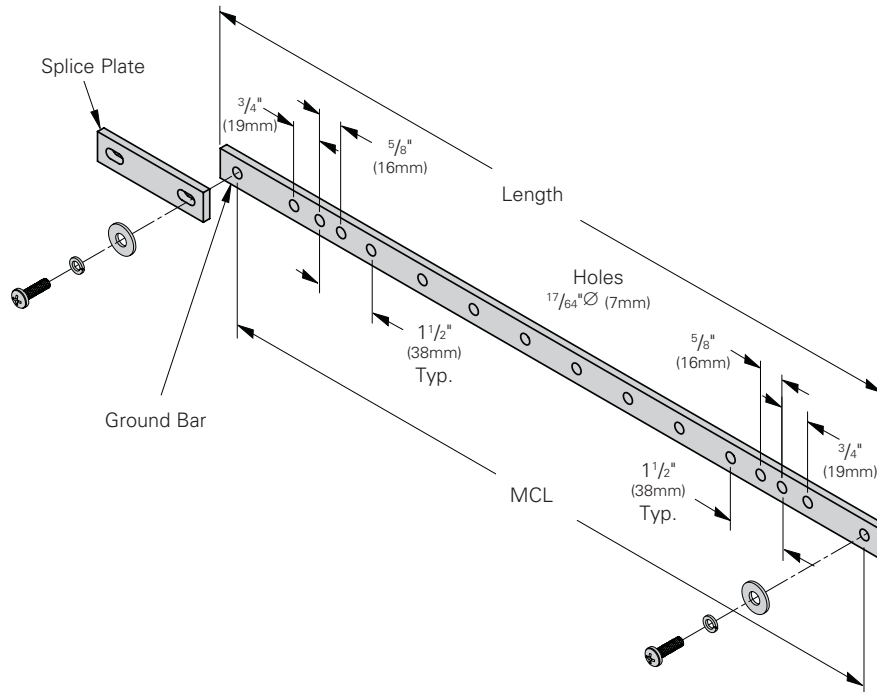
Universal Grounding Bar

Features:

- Used as a rack mounted equipment grounding bus
- Kit includes
 - 1 - Ground bar
 - 1 - Splice plate
 - 2 - #12-24 x 3/4" (19.0mm) yellow zinc plated screws
 - 2 - #12 yellow zinc plated lock washers
 - 2 - 1/4" yellow zinc plated flat washers
- Material: 3/16" (4.7mm) x 3/4" (19.0mm) copper bar



SB57903
shown

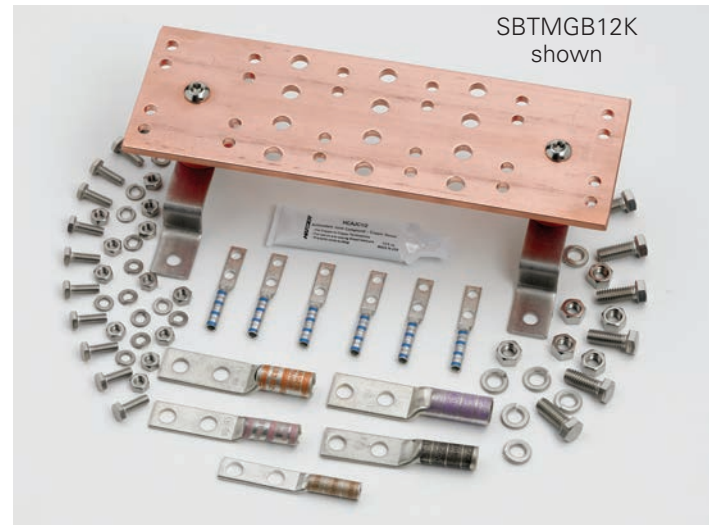


Part Number	Rack Width		Length (overall)		MC (mtg. centers)		Holes	Wt./Ea.	
	in.	mm	in.	mm	in.	mm		lbs.	kg
SB57903	19"	482	19 5/16"	490	18 5/16"	465	16	1.0	0.04
SB57904	23"	584	23 5/16"	592	22 5/16"	567	18	1.2	0.05

Telecommunications Main Grounding Bar

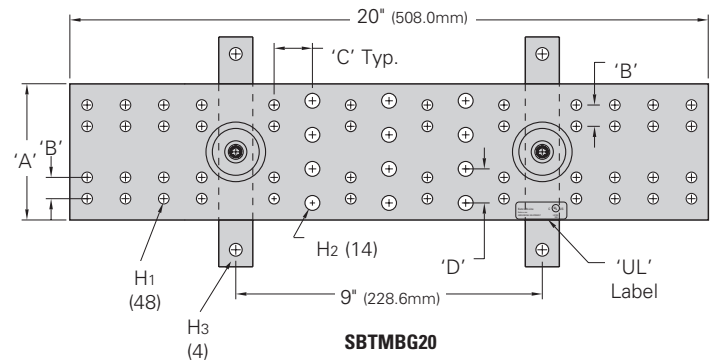
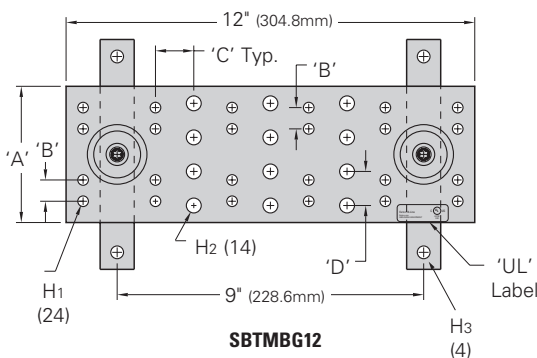
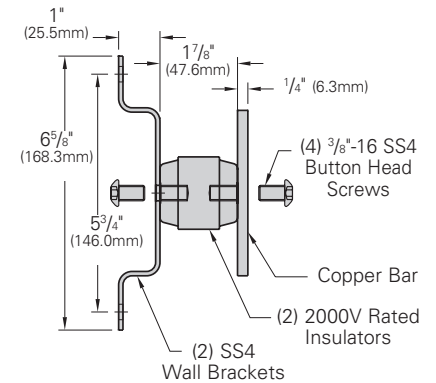
Features:

- Used as a central consolidation point for telecommunications and other low voltage systems within the room
- Typically located on wall or entry room where exterior ground enters building
- Kit includes
 - 1 - Grounding bar assembly
 - 6 - #6 compression lugs
 - 1 each - #2, 1/0, 2/0, 3/0 compression lugs
 - 12 each - 1/4"-20 x 3/4" (19.0mm) SS4 hex bolts, hex nuts & lock washers
 - 6 each - 3/8"-16 x 1" (25.4mm) SS4 hex bolts, hex nuts & lock washers



Dimensional Data

- A = 4" (101.6mm)
- B = 5/8" (15.8mm)
- C = 1 1/4" (31.7mm)
- D = 1" (25.4mm)
- H1 = 5/16"Ø (7.9mm)
- H2 = 7/16"Ø (11.1mm)
- H3 = 3/8"Ø (9.5mm)

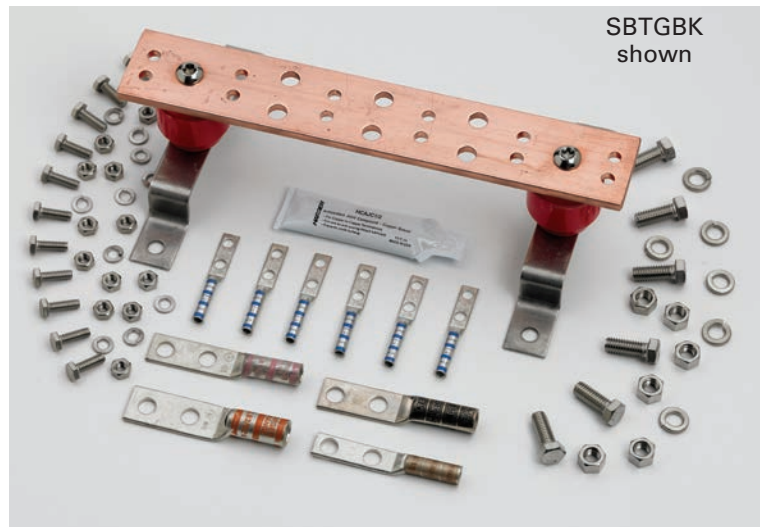


Part Number	Includes	Length		Wt./Ea.	
		in.	mm	lbs.	kg
SBTMGB12	Grounding Bar Assy	12"	305	4.7	2.13
SBTMGB12K	Bar Assy & Hardware Kit	12"	305	7.7	3.49
SBTMGB20	Grounding Bar Assy	20"	508	7.1	3.22
SBTMGB20K	Bar Assy & Hardware Kit	20"	508	10.1	4.58

Telecommunications Grounding Bar Kit

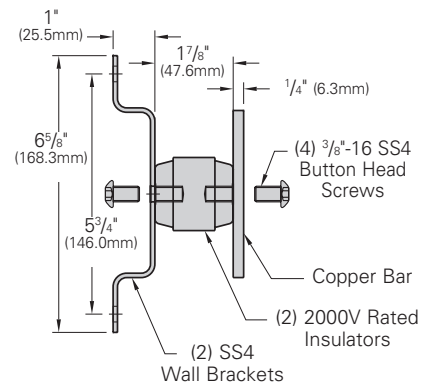
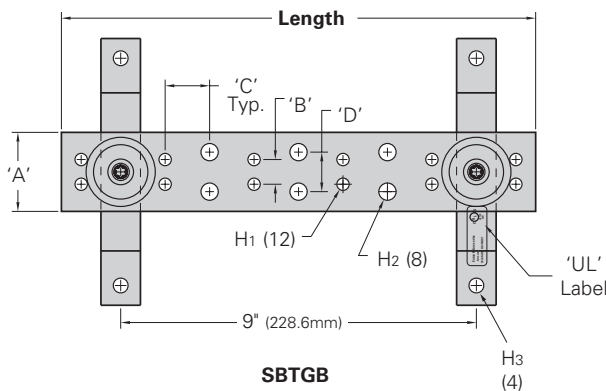
Features:

- Provides a common grounding point within the telecommunications room
- Typically is located on wall of data room
- Kit includes
 - 1 - Grounding bar assembly
 - 6 - #6 compression lugs
 - 1 each - #2, 1/0, 2/0, 3/0 compression lugs
 - 12 each - 1/4"-20 x 3/4" (19.0mm) SS4 hex bolts, hex nuts & lock washers
 - 6 each - 3/8"-16 x 1" (25.4mm) SS4 hex bolts, hex nuts & lock washers
- Material: Copper bar & SS4 wall brackets



Dimensional Data

- A = 2" (50.8mm)
- B = 5/8" (15.8mm)
- C = 1 1/4" (31.7mm)
- D = 1" (25.4mm)
- H₁ = 5/16"Ø (7.9mm)
- H₂ = 7/16"Ø (11.1mm)
- H₃ = 3/8"Ø (9.5mm)

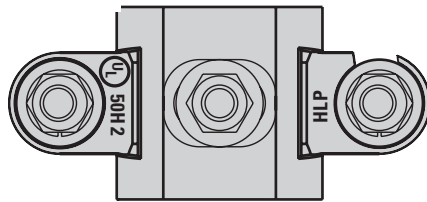
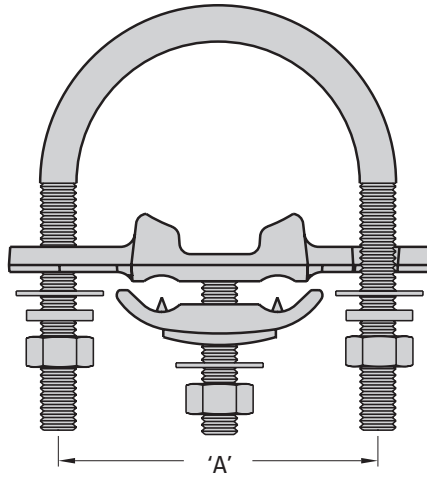


Part Number	Includes	Length		Wt./Ea.	
		in.	mm	lbs.	kg
SBTGB	Grounding Bar Assy	12"	305	2.91	1.32
SBTGBK	Bar Assy & Hardware Kit	12"	305	4.91	2.23

Ground Rod / Pipe Clamps

Features:

- Used to attach ground wire to raised floor pedestals
- Ground wire system inside floor can be used to ground Flextray™ F.A.S.T. System trays
- Sized for ground wires 6 AWG stranded through 250MCM
- $\frac{5}{16}$ " hardware included
- Material: SS4 U-bolt and hardware - tinned bronze casting



SBPC050075
closed



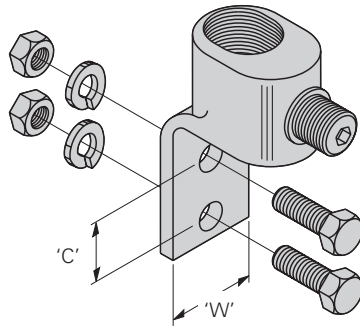
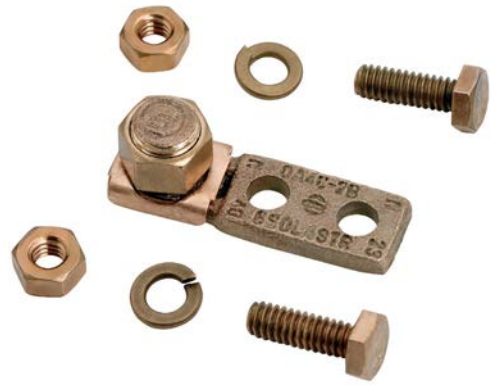
SBPC050075
open

Part Number	Pipe Size (nominal)		A		Wt./Ea.	
	in.	mm	in.	mm	lbs.	kg
SBPC050075	1/2" - 3/4"	15 - 20	1.57"	39.9	0.47	0.21
SBPC100125	1" - 1 1/4"	25 - 32	2.03"	51.5	0.79	0.36
SBPC150200	1 1/2" - 2"	40 - 50	2.75"	69.8	0.75	0.34
SBPC250300	2 1/2" - 3"	65 - 80	3.87"	98.3	0.95	0.43
SBPC350400	3 1/2" - 4"	90 - 100	4.87"	123.7	1.21	0.55
SBPC500600	5" - 6"	125 - 150	7.00"	177.8	1.70	0.77

Two-Hole Mechanical Lug

Features:

- Use for connection of electric wire to grounding bus
- Setscrew may be either allen head or hex head
- Includes: silicon bronze hardware
- Additional sizes available
- Sold individually
- Material: Copper alloy

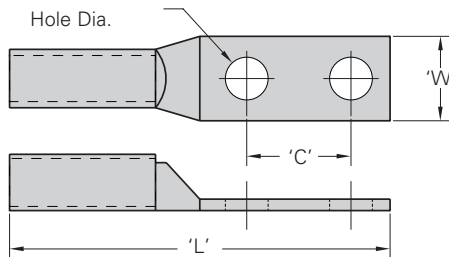


Part Number	Wire Size	'C'		'W'		Bolt Size	Wt./Ea.	
		in.	mm	in.	mm		lbs.	kg
SB47801	#14 to #8	5/8"	16	1/2"	13	#10-24	0.05	0.02
SB47802	#8 to #4	5/8"	16	1/2"	13	1/4"-20	0.07	0.03
SB47803	#4 to #1	3/4"	19	5/8"	16	1/4"-20	0.14	0.06
SB47804	#1 to 2/0	1"	25	13/16"	20	3/8"-16	0.23	0.10

Compression Lugs (Long Barrel)

Features:

- Use for connection of electric grounding wire to grounding bus
- Sold in package of 10 pcs.
- Material: Tinned Copper



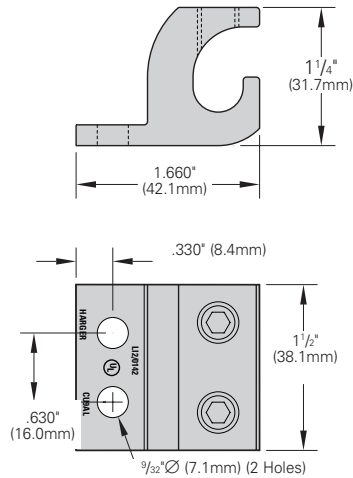
Part Number	Lug Size & # of Holes	Hole Dia.		'W'		'L'		'C'		Wt./Pkg.	
		in.	mm	in.	mm	in.	mm	in.	mm	lbs.	kg
SBCL 1	2/0 - 2 Hole	13/32"	10.3	13/16"	20.6	3 21/32"	92.8	1"	25.4	6.0	2.72
SBCL 2	2/0 - 2 Hole	17/32"	13.5	13/16"	20.6	4 7/8"	123.8	1 3/4"	44.4	14.0	6.35
SBCL 3	3/0 - 2 Hole	9/16"	14.3	15/16"	23.8	3 3/4"	95.2	1"	25.4	20.0	9.07
SBCL 4	4/0 - 2 Hole	9/16"	14.3	1"	25.4	3 29/32"	99.2	1"	25.4	20.0	9.07

Lay-In Lug

Features:

- Used to attach ground wires to racks or cabinets
- Sold in package of 10 pcs.
- Setscrews (2): 3/8"-24 Hex Head Oval Point
- Material: Aluminum - tin plated

Part Number	Lug Size	Wt./Pkg.	
		lbs.	kg
SBLL 1	2/0 - #14AWG	2.40	1.09



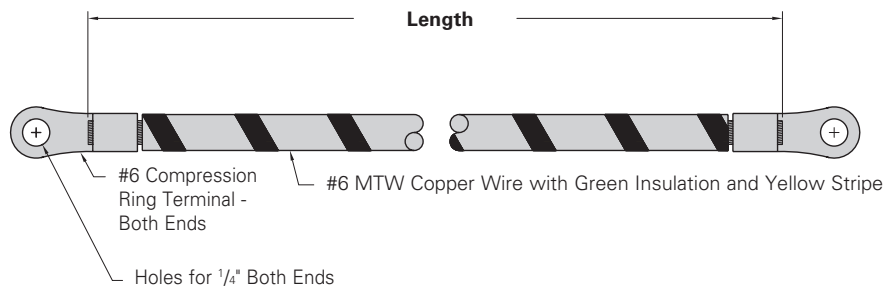
Unit Bonding Conductor

Features:

- Used to bond electronic equipment to vertical or horizontal rack mount busbars
- Sold in packages of 5 with aluminum joint compound
- Material: Copper wire



SBUBC614K shown

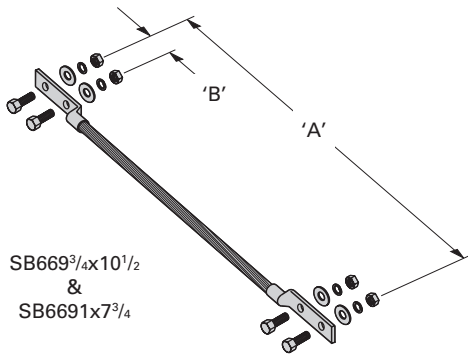
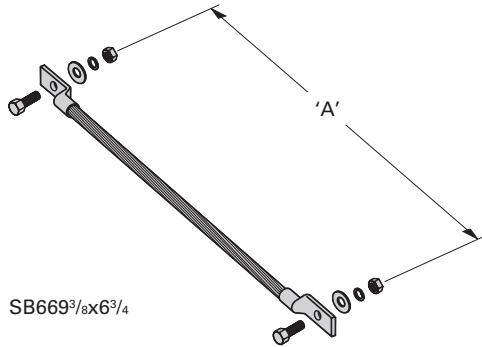


Part Number	Length		Wt./Ea.	
	in.	mm	lbs.	kg
SBUBC614K	14"	355	1.45	0.66
SBUBC618K	18"	457	1.45	0.66
SBUBC632K	32"	813	2.54	1.15

Grounding Strap

Features:

- Use to provide grounding path
- SB669^{3/4}x10^{1/2} and SB6691x7^{3/4} includes: (1) cable with crimped lugs and 1/4"-20 hardware
- SB669^{3/8}x6^{3/4} includes: (1) cable with crimped lugs and 3/8"-16 hardware
- Material: #6 flexible tin plated copper wire



Part Number	'A'		'B'		Wt./Ea.	
	in.	mm	in.	mm	lbs.	kg
SB669 ^{3/4} x10 ^{1/2}	10 1/2"	267	3/4"	19	.36	0.16
SB6691x7 ^{3/4}	7 3/4"	197	1"	25	.27	0.12
SB669 ^{3/8} x6 ^{3/4}	6 3/4"	171	N/A	N/A	.20	0.09

Crimp Tool

Features:

- Used to attach ground lugs to electrical wire
- Sold per piece
- 10¹/₂" (266mm) in length



Part Number	Wt./Ea.	
	lbs.	kg
SBTCR	2.00	0.91

Dieless Compression Tool

Features:

- Used to attach ground lugs to electrical wire
- Sold per piece
- 24" (609mm) in length



Part Number	Wt./Ea.	
	lbs.	kg
SBTCO	5.00	2.27

Joint Compound

Features:

- Improves electrical continuity at a grounding or bonding connection
- Sold in packages of 12
- 1/2 ounce per package



Part Number	Material	Wt./Pkg.	
		lbs.	kg
SBJCA	Aluminum	0.37	0.17
SBJCC	Copper	0.37	0.17

Cross Reference

Part Number	CPI	Panduit
SBCL1	40162-959	LCC2/0-38DW-X
SBCL2	40162-960	LCCX2/0-12-X
SBCL4	40162-961	LCCX4/0-38D-X
SBJCA	40166-812	CMP-300-1
SBJCC	40168-812	CMP-200-1
SBPC050075	40170-001	GPL series
SBPC100125	40170-002	GPL series
SBPC150200	40170-003	GPL series
SBPC250300	40170-004	GPL series
SBPC350400	40170-005	GPL series
SBPC500600	40170-006	GPL series
SBTCO	40165-001	CT-930
SBTCR	40165-002	CT-1700
SBTGB	40156-012	--
SBTMGB12	40153-012	GB2B0306TPI-1
SBTMGB12K	40158-012	--
SBTMGB20	40153-020	GB4B0624TPI-1
SBTMGB20K	40158-020	--
SBVB36	40160-036	--
SBVB36K	40161-036	--
SBVB72	40160-072	--
SBVB72K	40161-072	RGS134-1Y



RS Enclosure



High Density Network Rack (HDNR) System



RCM+ / RCM Rack



Redi-Rail™

For more information, visit
Eaton.com/blineseries

Eaton
1000 Eaton Boulevard
Cleveland, OH 44122
United States
Eaton.com

© 2020 Eaton
All Rights Reserved
Printed in USA
Publication No. BR303005EN
January 2020 CDGRD-20

B-Line Division
509 West Monroe Street
Highland, IL 62249
United States
Phone: 800-851-7415

Eaton.com/blineseries

Eaton is a registered trademark.

All other trademarks are property
of their respective owners.

Follow us on social media to get the
latest product and support information.

